

## **! WARNING!**

Failure to follow all warnings and instructions could result in **SERIOUS INJURY OR DEATH.**

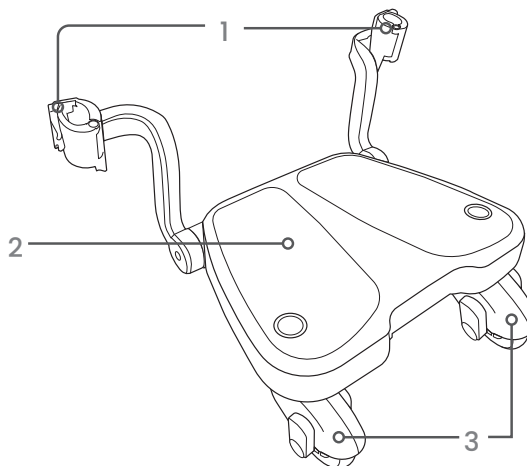
- Follow all the instructions and warnings in your stroller's instruction manual.
- Never leave child unattended.
- **For use with ONLY one child at least 2 years of age and walking. DO NOT use with a child over 50 lbs (22 kg).**
- Child must always hold on to the stroller handle while occupying stroller board.
- Child must always wear shoes when standing on the stroller board.
- Caregiver must always have hands on stroller handle while child is occupying stroller board.
- Make sure your child is always standing with both feet on the center portion of the stroller board.
- Stroller board must be properly secured to the stroller.
- Child must be supervised, and the brake engaged, when stepping onto and off the stroller board.
- Do not make sharp turns, run, or walk at excessive speeds with child on stroller board. Never use near steep inclines or steps.
- Do not allow child to stand on the stroller board when maneuvering the stroller on steps, over curbs, or on rough or irregular surfaces that could cause the child to lose balance.
- Do not allow child to stand on the stroller board without adult supervision or when not attached to stroller.
- To avoid injury from tipping, do not allow child to stand on stroller board unless the stroller is occupied.
- Keep child away from all obstructions on the side of the stroller while on the stroller board.
- Keep hands, feet, clothing, shoe laces and toys clear of moving parts at all times.
- Ensure the brake is accessible and functional after installation of the stroller board.
- Use caution when stroller board platform covered with any debris.
- Avoid injury from burns. DO NOT use cup holder with hot liquids. Spills can burn you or your child.
- Discontinue use of this accessory immediately if it interferes with proper fit or function of your stroller.
- Use for intended purposes only.
- There is no warranty either expressed or implied that use of this product will eliminate the possibility of any injury that may otherwise occur.
- This is not a toy. Do not allow children to play with this product. When not in use, keep out of reach of children.

### Compatibility:

Not all Britax strollers are compatible with the stroller board. For stroller board compatibility refer to [us.britax.com/support/frequently-asked-questions](https://us.britax.com/support/frequently-asked-questions).

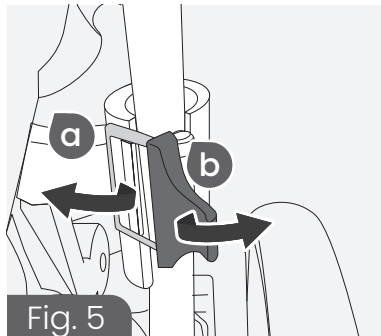
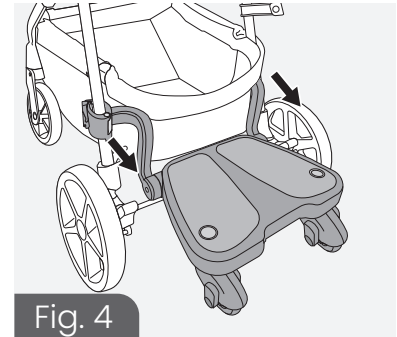
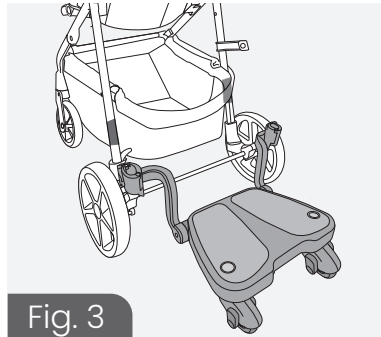
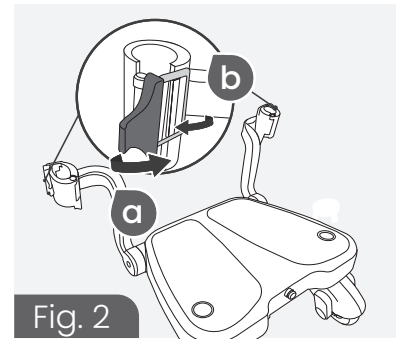
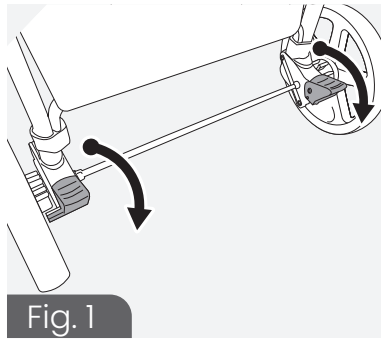
## Stroller Board Overview

1. Clamps (2)
2. Stroller Board
3. Wheels



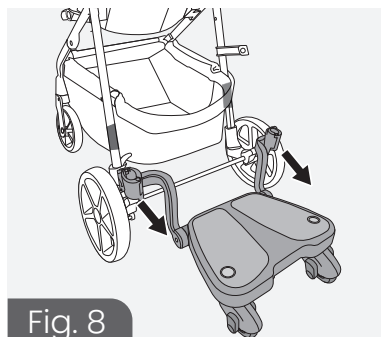
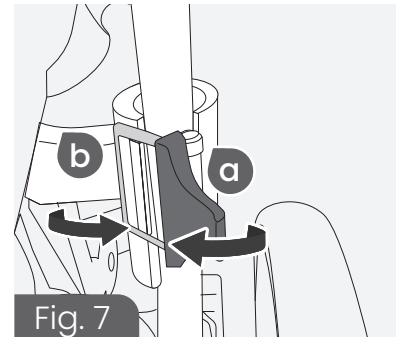
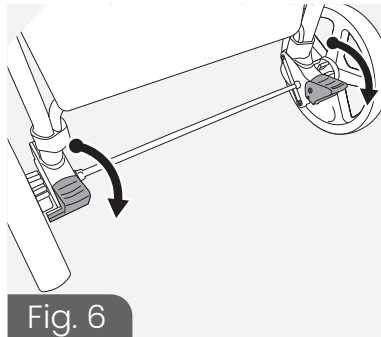
## Attaching the Stroller Board to the Stroller

1. **Press** both brake pedals down to lock the parking brake (Fig. 1).
2. **Open** the clamp (Fig. 2).
  - a. **Lift** the plastic tab on the clamp; and
  - b. **Lift** the metal bracket on the clamp.
  - c. **Repeat** on the other side.
3. **Align** the stroller board with the stroller frame (Fig. 3).
4. **Secure** the stroller board clamp around the stroller frame (Fig. 4).
  - a. **Hook** the metal bracket on the slot.
  - b. **Push** the plastic tab to secure the stroller board.
  - c. **Repeat** on the other side.
5. **Pull** stroller board to ensure it is secure (Fig. 5).



## Detaching the Stroller Board from the Stroller

1. **Press** both brake pedals down to lock the parking brake (Fig. 6).
2. **Open** the clamp (Fig. 7).
  - a. **Lift** the plastic tab on the clamp; and
  - b. **Lift** the metal bracket on the clamp.
  - c. **Repeat** on the other side.
3. **Pull** stroller board away from stroller (Fig. 8).



# Care and Maintenance

- If the stroller board gets wet, wipe with a clean cloth or towel to prevent corrosion.
- DO NOT fold the stroller board when wet or damp. Always make sure that the stroller board is dry before storing.
- Wipe the stroller board with a damp cloth and mild soap. Use clean, dry cloth or towel to wipe away excess water and soap.
- DO NOT use abrasives, solvents, strong detergents, or household cleaners. These products can scratch, discolor, and weaken plastic or cause corrosion on metal surfaces.
- To prevent damage to plastic parts, store away from extreme heat.
- DO NOT stack other items on top of the stroller board.

# Warranty

This stroller board was manufactured by Britax Child Safety, Inc. (“Britax”). To the extent allowed by law, Britax warrants this product to the original retail purchaser as follows:

## LIMITED ONE-YEAR WARRANTY

This product is warranted against defective materials or workmanship for one (1) years from the date of original purchase. Proof of purchase is required for any warranty claims. Your exclusive remedy for this warranty is that Britax will, at its option, provide repair or replacement components to the original purchaser of this product. Britax reserves the right to discontinue or change fabrics, parts, models or products, or to make substitutions.

This warranty does not cover damages that arise from negligence, misuse or use not in accordance with the product instruction. Additionally, Britax products purchased from unauthorized retailers, online auction sites, or as second hand items are not covered under this warranty.

The use of non-Britax covers, inserts, toys, accessories, or tightening devices is not approved by Britax. Their use could cause this child restraint to fail safety standards. Their use also may void the Britax warranty.

To make a claim under this warranty, you must contact Britax Consumer Services at 1-888-427-4829 or 1-704-409-1699, or write to us using the address on the back cover of this User Guide.

## DISCLAIMER OF WARRANTIES

The following disclaimer shall apply to you to the maximum extent permitted by applicable law. THE LIMITED WARRANTY SET FORTH ABOVE IS THE EXCLUSIVE WARRANTY MADE BY BRITAX. ALL OTHER WARRANTIES, WHETHER EXPRESS, IMPLIED, OR STATUTORY, INCLUDING WITHOUT LIMITATION THE IMPLIED WARRANTIES OF MERCHANTABILITY AND FITNESS FOR A PARTICULAR PURPOSE, ARE DISCLAIMED. Some states do not allow certain exclusions or limitations on warranties, so the above may not apply to you. This warranty gives you specific legal rights, and you may have other rights, which vary from state to state. Neither Britax, nor the retailer selling this product, authorizes any person to create for it any other warranty, obligation, or liability in connection with this product.

## LIMITATION OF DAMAGES

The following limitation of damages shall apply to you to the maximum extent permitted by applicable law. THE REMEDIES CONTAINED IN THE LIMITED WARRANTY SET FORTH ABOVE ARE THE EXCLUSIVE REMEDIES PROVIDED BY BRITAX. IN NO EVENT SHALL BRITAX BE LIABLE TO YOU FOR ANY INCIDENTAL, SPECIAL, PUNITIVE, EXEMPLARY, OR CONSEQUENTIAL DAMAGES ARISING OUT OF OR RELATING IN ANY WAY TO THE RELATIONSHIP BETWEEN YOU AND BRITAX (INCLUDING DISPUTES RELATED TO THE MARKETING OR SALE OF BRITAX PRODUCTS), ANY PROVISIONS IN THIS USER GUIDE, AND/OR YOUR PURCHASE OR USE OF ANY PRODUCTS DESIGNED, MANUFACTURED, DISTRIBUTED, MARKETED, OR SOLD BY BRITAX.

PLEASE COMPLETE AND MAIL THE OWNER REGISTRATION CARD WITHIN (30) DAYS OF PURCHASE

You may also register online at [us.britax.com/registration](https://us.britax.com/registration).

# Arbitration Agreement

## MANDATORY ARBITRATION & CLASS ACTION WAIVER (“ARBITRATION AGREEMENT”)

PLEASE READ THIS SECTION CAREFULLY BECAUSE IT AFFECTS YOUR LEGAL RIGHTS, REQUIRES YOU TO ARBITRATE DISPUTES, AND LIMITS THE MANNER IN WHICH YOU CAN SEEK RELIEF.

Arbitration is a process in which persons with a dispute waive their rights to file a lawsuit and proceed in court and to have a jury trial to resolve their disputes and, instead, agree to submit their disputes to a neutral third person (an “arbitrator”) for a decision. Each party to the dispute has an opportunity to present some evidence to the arbitrator. Pre-arbitration discovery may be limited. Arbitration proceedings are private and less formal than court trials. The arbitrator will issue a final and binding decision resolving the dispute, which may be enforced as a court judgment. A court rarely overturns an arbitrator’s decision.

YOU AND BRITAX AGREE THAT ANY DISPUTE BETWEEN US, WHETHER BASED IN CONTRACT, TORT, STATUTE OR OTHERWISE, SHALL BE RESOLVED IN BINDING INDIVIDUAL ARBITRATION. For purposes of this Arbitration Agreement, the word “dispute” and “disputes” are given the broadest possible meaning and include, without limitation, all claims, disputes, and/or controversies arising out of or relating in any way to the relationship between you and Britax (including disputes related to the marketing or sale of Britax products), any provisions in this User Guide or this Arbitration Agreement (including the interpretation and scope of this Arbitration Agreement and the arbitrability of any dispute), and/or your purchase or use of any products designed, manufactured, distributed, marketed, or sold by Britax. The Federal Arbitration Act (“FAA”) and federal arbitration law apply to this Arbitration Agreement. Notwithstanding the foregoing, you and Britax each agree that you and Britax shall retain the rights to bring an individual suit in small claims court for disputes within the scope of such court’s jurisdiction and/or to bring an individual suit in court to enjoin infringement or other misuse of intellectual property rights. In no way shall the foregoing

sentence allow for an action to be brought on a class or collective basis.

**YOU HAVE THE RIGHT TO OPT OUT OF THIS ARBITRATION AGREEMENT, BUT YOU MUST EXERCISE THIS RIGHT WITHIN THIRTY (30) DAYS OF YOUR PURCHASE OF A BRITAX PRODUCT.** If you do not wish to be bound by this Arbitration Agreement, you must notify Britax by mailing or e-mailing a written opt-out notice, postmarked or electronically delivered within thirty (30) days of your purchase of a Britax product, to: ATTN: Legal Department, 4140 Pleasant Road, Fort Mill, South Carolina 29708. Your opt-out notice must include your full name, address and/or e-mail address, the model and serial numbers of the purchased product, a copy of your proof of purchase, and a statement that you intend to opt out of this Arbitration Agreement. If you do not opt out within thirty (30) days of your purchase, then this Arbitration Agreement will apply and you understand and agree that you are waiving your right to maintain other available resolution processes, such as a court action or administrative proceeding, to resolve your dispute with Britax.

The arbitration will be conducted confidentially by a single arbitrator and administered by the American Arbitration Association (“AAA”) under its Consumer Arbitration Rules most recently in effect to the extent such rules and procedures do not contradict the express terms of this Arbitration Agreement. To learn more about the rules and how to begin an arbitration, you may call any AAA office or go to **www.adr.org**. If you demand arbitration, then at your request Britax will advance your portion of the expenses associated with the arbitration, including the filing, administrative, hearing and arbitrator’s fees (“Arbitration Fees”) to the extent such Arbitration Fees exceed \$200. If Britax demands arbitration, then at your request Britax will advance your portion of the Arbitration Fees. For claims of \$10,000 or less, you can choose whether you would like the arbitration carried out based only on documents submitted to the arbitrator or by a hearing in person or by telephone. The arbitration hearing will be conducted in the county of your residence, within 30 miles of such county, or in such place as shall be ordered by the arbitrator. Throughout the arbitration, each party shall bear his, her or its own attorneys’ fees and expenses, including any witness and expert witness fees. The arbitrator shall apply applicable substantive law consistent with the FAA, shall apply statutes of limitation, and shall honor claims of privilege recognized at law. The arbitrator shall decide, with or without a hearing, any motion that is substantially similar to a motion to dismiss for failure to state a claim or a motion for summary judgment. In conducting the arbitration proceeding, the arbitrator shall not apply any federal or state rules of civil procedure or evidence. The arbitrator shall not consolidate the claims of multiple parties unless you and Britax agree to do so. At the timely request of any party, the arbitrator shall provide a written explanation for the award. The arbitrator’s award may be filed with any court having jurisdiction.

**THIS ARBITRATION AGREEMENT DOES NOT ALLOW CLASS OR COLLECTIVE ARBITRATIONS EVEN IF THE AAA RULES OR PROCEDURES WOULD. IN OTHER WORDS, YOU AND BRITAX EACH AGREE THAT ALL DISPUTES SHALL BE ARBITRATED ON AN INDIVIDUAL BASIS AND WAIVE ANY RIGHT TO PROCEED IN A CLASS, CONSOLIDATED, OR REPRESENTATIVE FASHION. THE ARBITRATOR MAY AWARD MONEY OR INJUNCTIVE RELIEF ONLY IN FAVOR OF THE INDIVIDUAL PARTY SEEKING RELIEF AND ONLY TO THE EXTENT NECESSARY TO PROVIDE RELIEF WARRANTED BY THAT PARTY’S INDIVIDUAL CLAIM. NO CLASS, REPRESENTATIVE OR PRIVATE ATTORNEY GENERAL OR GENERAL INJUNCTIVE RELIEF THEORIES OF LIABILITY OR PRAYERS FOR RELIEF MAY BE MAINTAINED IN ANY ARBITRATION CONDUCTED PURSUANT TO THIS ARBITRATION AGREEMENT.**

If the foregoing class action waiver and prohibition against class arbitration is determined to be invalid or unenforceable for any reason, then this entire Arbitration Agreement shall be void. If any portion of this Arbitration Agreement other than the class action waiver and prohibition against class arbitration is deemed to be invalid or unenforceable for any reason, it shall not invalidate the remaining portions of this Arbitration Agreement. If for any reason a dispute proceeds in court rather than in arbitration, you and Britax each waive any right to a jury trial.

## **⚠ MISE EN GARDE!**

Le non-respect des mises en garde et des directives peut entraîner des BLESSURES GRAVES et même la MORT.

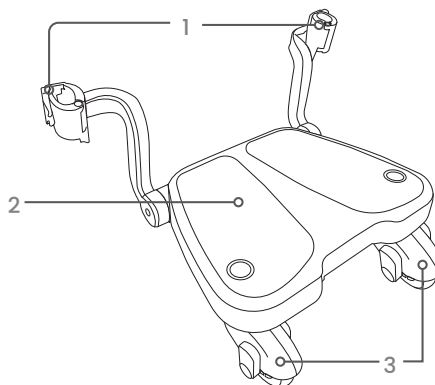
- Respectez toutes les directives et tous les avertissements du manuel d'instructions de votre poussette.
- Ne laissez jamais un enfant sans surveillance.
- **Utilisez la planche pour poussette UNIQUEMENT pour un seul enfant âgé d'au moins deux (2) ans et pouvant marcher. NE L'UTILISEZ PAS pour un enfant de plus de 22 kg (50 lb).**
- Un enfant qui utilise la planche pour poussette doit toujours tenir la poignée de la poussette.
- Un enfant qui utilise la planche pour poussette doit toujours porter des chaussures.
- Lorsqu'un enfant se trouve sur la planche de la poussette, le gardien de l'enfant doit toujours garder les mains sur la poignée de la poussette.
- Assurez-vous que votre enfant est toujours debout et que ses deux pieds sont posés au centre de la planche pour poussette.
- La planche pour poussette doit être correctement fixée à la poussette.
- Lorsque l'enfant monte ou descend de la planche pour poussette, il doit être supervisé et le frein doit être activé.
- Lorsqu'un enfant se trouve sur la planche pour poussette, ne faites pas de virages serrés, ne courez pas et ne marchez pas à des vitesses excessives. Ne l'utilisez jamais près d'une pente abrupte ou d'escaliers.
- Ne permettez pas à un enfant de se tenir debout sur la planche pour poussette lorsque vous déplacez la poussette dans des escaliers, dans des virages ou sur des surfaces grossières ou irrégulières pouvant provoquer une perte d'équilibre de l'enfant.
- Ne permettez pas à un enfant de se tenir debout sur la planche pour poussette sans la supervision d'un adulte ou lorsqu'elle n'est pas fixée à la poussette.
- Pour éviter toute chute, ne permettez pas à un enfant de se tenir debout sur la planche pour poussette si la poussette n'est pas occupée.
- Lorsqu'un enfant est debout sur la planche pour poussette, tenez-le à l'écart de tout obstacle se trouvant de chaque côté de la poussette.
- Gardez ses mains, ses pieds, ses vêtements, ses lacets de chaussures et ses jouets à l'écart des pièces mobiles en tout temps.
- Après l'installation de la planche pour poussette, assurez-vous que le frein est accessible et fonctionnel.
- Faites preuve de prudence lorsque la plateforme de la planche pour poussette est recouverte de débris.
- Pour éviter les brûlures, N'UTILISEZ PAS le porte-gobelet avec des liquides chauds. Les déversements peuvent vous brûler ou brûler votre enfant.
- Cesser immédiatement d'utiliser cet accessoire s'il interfère avec l'ajustement ou le bon fonctionnement de votre poussette.
- Utilisez-le uniquement aux fins prévues.
- Il n'y a aucune garantie, expresse ou implicite, que l'utilisation de ce produit éliminera le risque de blessure qui pourrait se produire autrement.
- Ceci n'est pas un jouet. Ne permettez pas à des enfants de jouer avec ce produit. Lorsqu'il n'est pas utilisé, gardez-le hors de la portée des enfants.

### Compatibilité :

La planche pour poussette n'est pas compatible avec toutes les poussettes Britax. Pour connaître les poussettes compatibles avec la planche pour poussette, visitez le site [us.britax.com/support/frequently-asked-questions](http://us.britax.com/support/frequently-asked-questions).

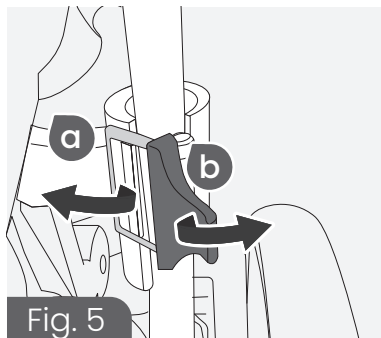
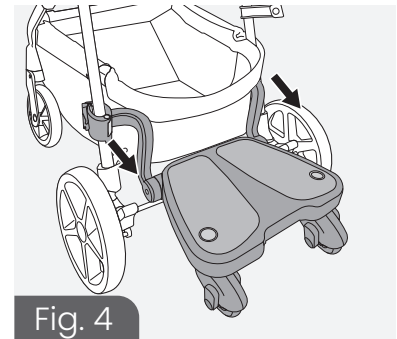
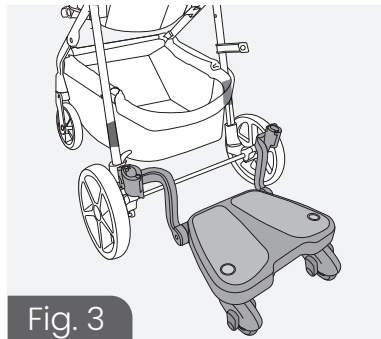
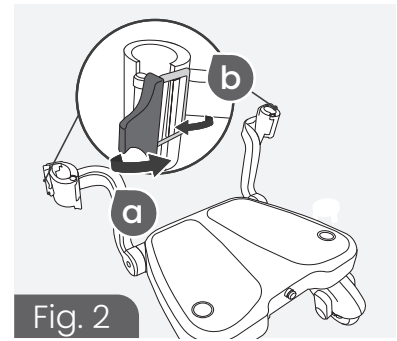
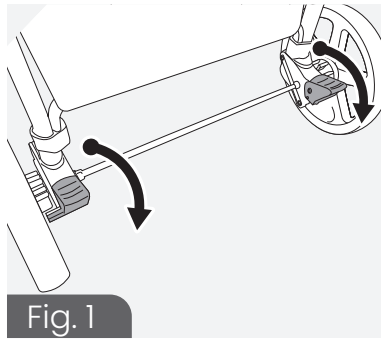
## Aperçu de la planche pour poussette

1. Pincettes (2)
2. Planche pour poussette
3. Roues



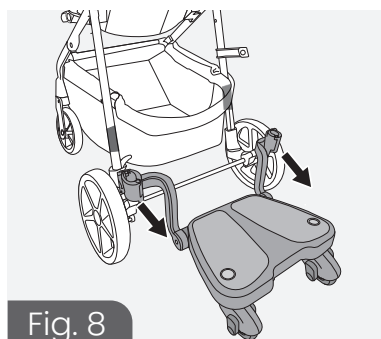
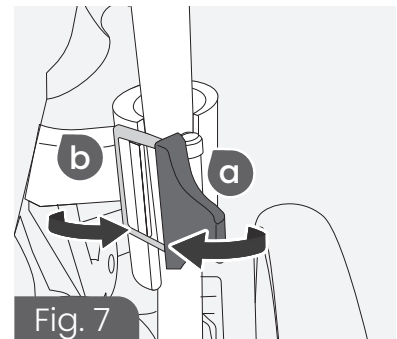
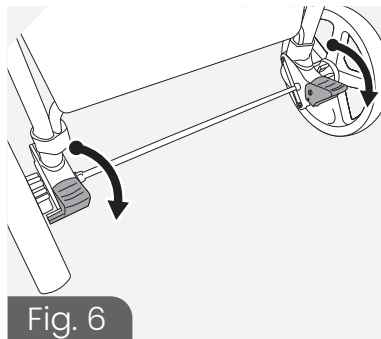
## Fixation de la planche pour poussette à la poussette

1. **Appuyer** sur les deux pédales de frein pour verrouiller le frein de stationnement (Fig. 1).
2. **Ouvrez** la pince (Fig. 2).
  - a. **Soulevez** la languette de plastique située sur la pince;
  - b. **Soulevez** le support métallique situé sur la pince.
  - c. **Répétez** la procédure de l'autre côté.
3. **Alignez** la planche pour poussette avec le châssis de la poussette (Fig. 3).
4. **Fixez** la pince de la planche pour poussette autour du châssis de la poussette (Fig. 4).
  - a. **Insérez** le support métallique dans la fente.
  - b. **Appuyez** sur la languette de plastique pour fixer la planche pour poussette.
  - c. **Répétez** la procédure de l'autre côté.
5. **Tirez** sur la planche pour poussette pour vous assurer qu'elle est bien fixée (Fig. 5).



## Retrait de la planche pour poussette de la poussette

1. **Appuyer** sur les deux pédales de frein pour verrouiller le frein de stationnement (Fig. 6).
2. **Ouvrez** la pince (Fig. 7).
  - a. **Soulevez** la languette de plastique située sur la pince;
  - b. **Soulevez** le support métallique situé sur la pince.
  - c. **Répétez** la procédure de l'autre côté.
3. **Tirez** sur la planche pour poussette pour la détacher de la poussette (Fig. 8).



## Soin et entretien

- Si la planche pour poussette est mouillée, essuyez-la avec un linge ou une serviette propre pour éviter la formation de rouille.
- NE PLIEZ PAS la planche pour poussette lorsqu'elle est mouillée ou humide. Assurez-vous toujours que la planche pour poussette est sèche avant de la ranger.
- Essuyez la planche pour poussette avec un linge humide et un savon doux. Utilisez un linge propre et sec ou une serviette pour essuyer l'excès d'eau et de savon.
- N'utilisez PAS de produits abrasifs, de solvants, de détergents puissants, ni de produits d'entretien ménager. Ces produits sont susceptibles de rayer, de décolorer et de fragiliser le plastique ou de provoquer la corrosion des surfaces métalliques.
- Pour éviter d'endommager les pièces en plastique, entreposez-la à l'abri de la chaleur extrême.
- N'EMPILEZ PAS des objets sur la planche pour poussette.

## Garantie

Cette planche pour poussette a été fabriquée par Britax Child Safety, Inc. (« Britax »). Dans la mesure permise par la loi, Britax garantit ce produit à l'acheteur initial comme suit :

### GARANTIE LIMITÉE D'UN AN

Ce produit est garanti contre les défauts de matériaux et de main-d'œuvre pendant d'un an à compter de la date d'achat. Une preuve d'achat est requise pour tout recours en garantie. Le seul recours de cette garantie est que Britax pourra offrir, à sa discrétion, le remplacement ou la réparation des pièces de ce produit à l'acheteur d'origine de ce produit. Britax se réserve le droit de supprimer ou de modifier des tissus, des pièces, des modèles ou des produits, ou de les remplacer.

Cette garantie ne couvre pas les dommages liés à une négligence, une mauvaise utilisation ou une utilisation non conforme aux instructions du produit. De plus, les produits Britax achetés auprès de détaillants non autorisés, sur des sites d'enchères ou comme articles d'occasion ne sont pas couverts par la garantie.

L'utilisation de housses, de pièces, de jouets, d'accessoires ou de dispositifs de fixation de marque autre que Britax n'est pas approuvée par Britax. Leur utilisation pourrait faire en sorte que ce dispositif de retenue pour enfant ne respecte pas les normes de sécurité. Leur utilisation peut également annuler la garantie de Britax.

Pour faire une réclamation en vertu de cette garantie, contactez le service à la clientèle de Britax au 1 888 427-4829 ou 1 704 409-1699, ou écrivez-nous à l'adresse qui apparaît sur la couverture arrière de ce guide d'utilisation.

### CLAUSE DE GARANTIES

La présente clause vous concerne dans la plus grande mesure permise par la loi applicable. LA PRÉSENTE GARANTIE LIMITÉE EST LA GARANTIE EXCLUSIVE DE BRITAX. TOUTES LES AUTRES GARANTIES, EXPRESSES, IMPLICITES OU LÉGALES, Y COMPRIS, SANS S'Y LIMITER, LES GARANTIES IMPLICITES DE QUALITÉ MARCHANDE ET D'ADAPTATION À UN USAGE PARTICULIER, SONT EXCLUES. Certains États n'autorisent pas certaines exclusions ou limitations des garanties, de sorte que les dispositions ci-dessus pourraient ne pas vous concerner. Cette garantie vous donne des droits légaux particuliers, mais vous pouvez avoir d'autres droits, qui varient d'un État à l'autre. Britax et le détaillant qui vend ce produit interdisent à quiconque de créer toute autre garantie, obligation ou responsabilité en rapport avec ce dernier.

### LIMITES DES DOMMAGES-INTÉRÊTS

Les présentes limites des dommages-intérêts vous concernent dans la plus grande mesure permise par la loi applicable. LES RECOURS PRÉVUS DANS LA PRÉSENTE GARANTIE LIMITÉE SONT LES RECOURS EXCLUSIFS FOURNIS PAR BRITAX. EN AUCUN CAS BRITAX NE PEUT ÊTRE TENUE RESPONSABLE DE DOMMAGES ACCIDENTELS, SPÉCIAUX, PUNITIFS, EXEMPLAIRES OU CONSÉCUTIFS DÉCOULANT DE TOUTE RELATION ENTRE VOUS ET BRITAX (Y COMPRIS LES LITIGES LIÉS À LA COMMERCIALISATION OU À LA VENTE DE PRODUITS BRITAX), DE TOUTE DISPOSITION DU PRÉSENT GUIDE D'UTILISATION, OU L'ACHAT OU L'UTILISATION DE TOUT PRODUIT CONÇU, FABRIQUÉ, DISTRIBUÉ, COMMERCIALISÉ OU VENDU PAR BRITAX.

**VEUILLEZ REMPLIR ET ENVOYER LA FICHE D'ENREGISTREMENT DU PRODUIT DANS LES (30) JOURS SUIVANT L'ACHAT**

Vous pouvez également enregistrer votre produit en ligne à l'adresse suivante : [us.britax.com/registration](https://us.britax.com/registration).

## Convention d'arbitrage

### CLAUSE D'ARBITRAGE OBLIGATOIRE ET RENONCIATION AU RECOURS COLLECTIF (« CONVENTION D'ARBITRAGE »)

VEUILLEZ LIRE ATTENTIVEMENT CETTE SECTION, CAR ELLE A UNE INCIDENCE SUR VOS DROITS LÉGAUX, VOUS OBLIGE À ARBITRER LES LITIGES ET LIMITE LA FAÇON DONT VOUS POUVEZ DEMANDER UN REDRESSEMENT.

L'arbitrage est un processus dans lequel les personnes en litige renoncent à leurs droits de déposer une poursuite, de procéder devant un tribunal et de faire l'objet d'un procès devant jury pour résoudre leurs litiges et conviennent plutôt de soumettre leurs litiges à une troisième personne neutre (un « arbitre ») pour une décision. Chaque partie en litige a l'occasion de présenter une preuve à l'arbitre. La divulgation préalable à l'arbitrage peut être limitée. Les procédures d'arbitrage sont privées et moins formelles que les procès judiciaires. L'arbitre rendra une décision définitive et exécutoire pour résoudre le litige, qui pourra être appliquée comme jugement du tribunal. Un tribunal infirme rarement la décision d'un arbitre.

VOUS ET BRITAX CONVENEZ QUE TOUT LITIGE ENTRE VOUS, QU'IL SOIT FONDÉ SUR UN CONTRAT, UN DÉLIT CIVIL, UN ACTE LÉGISLATIF OU AUTRE, SERA RÉSOLU DANS UN ARBITRAGE INDIVIDUEL CONTRAIGNANT. Aux fins de la présente convention d'arbitrage, le mot « litige » ou « litiges » est entendu dans le sens le plus large possible et comprend, sans s'y limiter, les réclamations, les litiges ou les controverses découlant de la relation entre

vous et Britax ou y étant liés de quelque façon que ce soit (y compris les litiges liés à la commercialisation ou à la vente des produits Britax), toute disposition du présent guide d'utilisation ou de la présente convention d'arbitrage (y compris l'interprétation et la portée de la présente convention d'arbitrage et l'arbitrabilité de tout litige), ou votre achat ou utilisation de tout produit conçu, fabriqué, distribué, commercialisé ou vendu par Britax. La Federal Arbitration Act (« FAA ») et la loi fédérale sur l'arbitrage s'appliquent à la présente convention d'arbitrage. Nonobstant ce qui précède, vous et Britax convenez que vous conservez les droits d'engager une poursuite individuelle devant un tribunal des petites créances en cas de litige dans le cadre de la compétence de ce tribunal ou d'amener une poursuite individuelle devant un tribunal pour interdire la violation ou toute autre utilisation abusive des droits de propriété intellectuelle. La phrase qui précède ne doit en aucun cas permettre qu'une action soit intentée de manière collective.

**VOUS AVEZ LE DROIT DE VOUS RETIRER DE LA PRÉSENTE CONVENTION D'ARBITRAGE, MAIS VOUS DEVEZ EXERCER CE DROIT DANS LES TRENTE (30) JOURS SUIVANT L'ACHAT D'UN PRODUIT BRITAX.** Si vous ne souhaitez pas être lié par la présente convention d'arbitrage, vous devez en aviser Britax par la poste ou par courriel dans les trente (30) jours suivant l'achat d'un produit Britax, à l'attention de : Services juridiques, 4140 Pleasant Road, Fort Mill, South Carolina, 29708. Votre avis de retrait doit inclure votre nom complet, votre adresse et/ou votre adresse courriel, le modèle et les numéros de série du produit acheté, une copie de votre preuve d'achat et une déclaration selon laquelle vous avez l'intention de vous retirer de la présente convention d'arbitrage. Si vous ne vous désinscrivez pas dans les trente (30) jours suivant votre achat, la présente convention d'arbitrage s'appliquera et de ce fait, vous comprenez et acceptez que vous renoncez à votre droit de maintenir d'autres processus de résolution, tels qu'une poursuite en justice ou une poursuite administrative, pour résoudre votre litige avec Britax.

L'arbitrage sera effectué de façon confidentielle par un arbitre unique et administré par l'American Arbitration Association (« AAA ») en vertu de ses règles d'arbitrage les plus récentes à l'intention des consommateurs, dans la mesure où ces règles et procédures ne contreviennent pas aux modalités expresses de la présente Convention d'arbitrage. Pour en savoir plus sur les règles et sur la façon de commencer un arbitrage, vous pouvez appeler n'importe quel bureau de l'AAA ou visiter le site [www.adr.org](http://www.adr.org). Si vous demandez un arbitrage, Britax fera avancer votre part des frais associés à l'arbitrage, y compris les frais de dépôt, d'administration, d'audience et d'arbitre (« frais d'arbitrage ») dans la mesure où ces frais d'arbitrage dépassent 200 \$. Si Britax exige un arbitrage, Britax fera avancer votre part des frais d'arbitrage à votre demande. Pour les réclamations de 10 000 \$ ou moins, vous pouvez choisir si vous souhaitez que l'arbitrage soit effectué uniquement en fonction des documents soumis à l'arbitre ou par audience en personne ou par téléphone. L'audience d'arbitrage aura lieu dans le comté de votre domicile, dans un rayon inférieur à 50 kilomètres de ce comté, ou en tout autre lieu déterminé par l'arbitre. Tout au long de l'arbitrage, chaque partie assume les propres honoraires et les dépenses de son avocat, y compris les frais de témoin et de témoin expert. L'arbitre appliquera le droit substantiel applicable conformément à la FAA, appliquera les lois de prescription et honorera les revendications de privilège reconnues par la loi. L'arbitre décide, avec ou sans audience, de toute requête essentiellement semblable à une requête en rejet pour omission d'énoncer une réclamation ou une requête de jugement sommaire. Dans le cadre de la procédure d'arbitrage, l'arbitre n'appliquera pas de règles fédérales ou de l'État relatives aux procédures civiles ou aux preuves. L'arbitre ne consolidera pas les réclamations de plusieurs parties à moins que vous et Britax n'acceptiez de le faire. À la demande ponctuelle de toute partie, l'arbitre doit fournir une explication écrite de la décision. La sentence arbitrale peut être déposée auprès de tout tribunal compétent.

**LA PRÉSENTE CONVENTION D'ARBITRAGE NE PERMET PAS L'ARBITRAGE COLLECTIF, MÊME SI LES RÈGLES OU PROCÉDURES DE L'AAA LE PERMETTENT. EN D'AUTRES TERMES, VOUS ET BRITAX CONVENEZ QUE TOUS LES LITIGES SERONT CONTESTÉS INDIVIDUELLEMENT ET RENONCEZ À TOUT DROIT DE PROCÉDER DE FAÇON COLLECTIVE, REGROUPEE OU REPRÉSENTATIVE. L'ARBITRE PEUT ACCORDER DE L'ARGENT OU UNE INJONCTION UNIQUEMENT EN FAVEUR DE LA PARTIE INDIVIDUELLE QUI DEMANDE UN REDRESSEMENT ET UNIQUEMENT DANS LA MESURE NÉCESSAIRE POUR FOURNIR UN RECOURS JUSTIFIÉ PAR LA RÉCLAMATION INDIVIDUELLE DE CETTE PARTIE. AUCUN RECOURS COLLECTIF, REPRÉSENTATIF OU PRIVÉ, NI AUCUNE INJONCTION GÉNÉRALE OU DEMANDE DE REDRESSEMENT NE PEUVENT ÊTRE MAINTENUS DANS TOUT ARBITRAGE MENÉ CONFORMÉMENT À LA PRÉSENTE CONVENTION D'ARBITRAGE.**

Si la renonciation au recours collectif et l'interdiction de l'arbitrage collectif qui précèdent sont jugées invalides ou inapplicables pour quelque raison que ce soit, l'ensemble de la présente convention d'arbitrage sera nulle. Si une partie de la présente convention d'arbitrage autre que la renonciation à une action collective et l'interdiction d'arbitrage collectif est jugée non valide ou inapplicable pour quelque raison que ce soit, elle n'invalidera pas les autres parties de la présente convention d'arbitrage. Si, pour quelque raison que ce soit, un litige se produit devant un tribunal plutôt qu'en arbitrage, vous et Britax renoncez à tout droit d'un procès devant jury.



## **! ADVERTENCIA!**

De no seguirse todas las advertencias e instrucciones, podrían provocarse **LESIONES GRAVES** o la **MUERTE**.

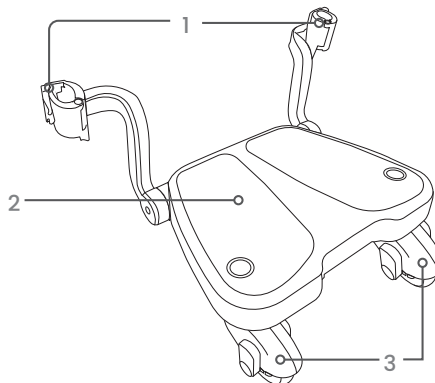
- Siga todas las instrucciones y advertencias del manual de instrucciones de su cochecito.
- Nunca deje al niño sin supervisión.
- **Utilizar con SOLO un niño que tenga al menos 2 años de edad y que camine. NO utilizar con niños que pesen más de 22 kg (50 lb).**
- El niño siempre debe sujetarse a la manija del cochecito mientras ocupe la bandeja del cochecito
- El niño siempre debe usar zapatos cuando esté de pie en la bandeja del cochecito
- El cuidador siempre debe tener las manos en la manija del cochecito mientras el niño ocupa la bandeja del cochecito.
- Asegúrese de que su hijo esté siempre parado con ambos pies en la parte central de la bandeja del cochecito
- La bandeja del cochecito debe estar bien asegurada al cochecito.
- Se debe supervisar al niño y activar el freno cuando se suba y baje de la bandeja del cochecito
- No realice giros bruscos, corra ni camine a velocidades excesivas con el niño en la bandeja del cochecito. No utilizar nunca cerca de pendientes pronunciadas o escalones.
- No permita que el niño se pare sobre la bandeja del cochecito cuando maniobre el cochecito en escalones, cunetas o superficies rugosas o irregulares que puedan hacerle perder el equilibrio.
- No permita que el niño se pare sobre la bandeja del cochecito sin supervisión de un adulto o cuando no esté conectada al cochecito.
- Para evitar lesiones por inclinarse, no permita que el niño se pare sobre la bandeja del cochecito, a menos que el cochecito esté ocupado.
- Mantenga al niño alejado de todas las obstrucciones en el costado del cochecito mientras está en la bandeja del cochecito.
- Mantenga las manos, los pies, los dientes, la ropa, los cordones de zapatos y los juguetes alejados de las piezas móviles en todo momento.
- Asegúrese de que el freno sea accesible y funcional después de la instalación de la bandeja del cochecito.
- Tenga cuidado cuando la plataforma de la bandeja del cochecito esté cubierta con cualquier tipo de suciedad.
- Evite lesiones por quemaduras. NO coloque bebidas calientes en el portavasos. Los derrames pueden provocar quemaduras a usted o a su hijo.
- Deje de utilizar este accesorio inmediatamente si interfiere en el ajuste o funcionamiento adecuados del o del cochecito.
- Utilícelo únicamente para los fines previstos.
- No existe garantía expresa o implícita de que el uso de este producto elimine la posibilidad de lesiones que de otro modo puedan ocurrir.
- Esto no es un juguete. No permita que los niños se suban o jueguen con este producto. Cuando no se esté usándolo, manténgalo fuera del alcance de los niños.

### Compatibilidad:

No todos los cochecitos Britax son compatibles con la bandeja del cochecito. Para obtener información sobre la compatibilidad de la bandeja del cochecito, consulte [us.britax.com/support/frequently-asked-questions](http://us.britax.com/support/frequently-asked-questions).

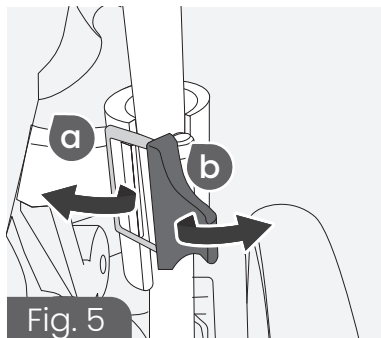
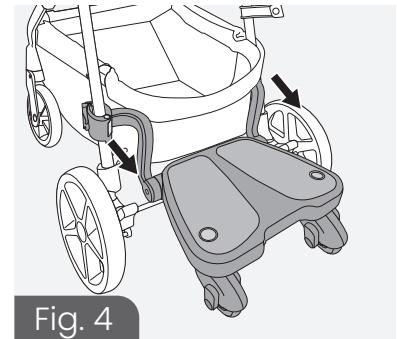
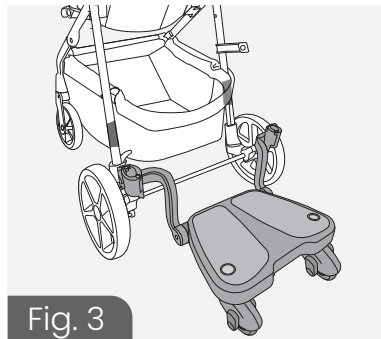
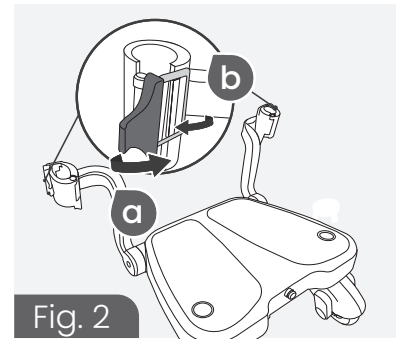
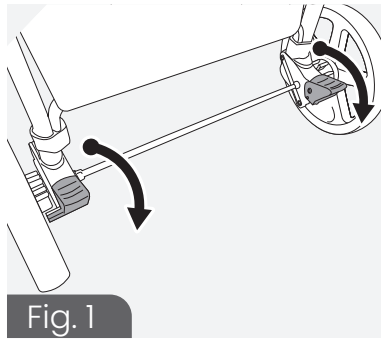
## Descripción general de la bandeja del cochecito

1. Pinzas (2)
2. Bandeja del cochecito
3. Ruedas



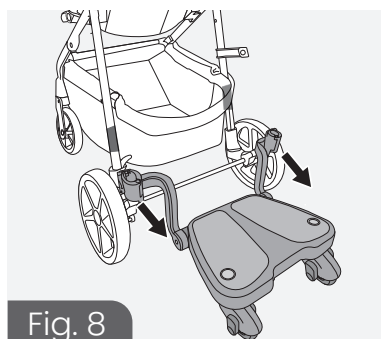
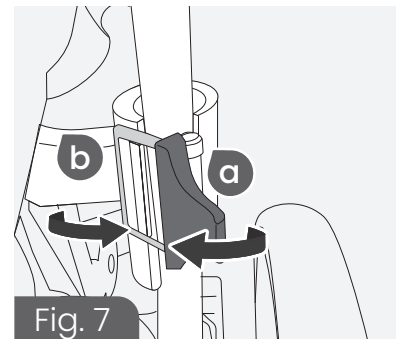
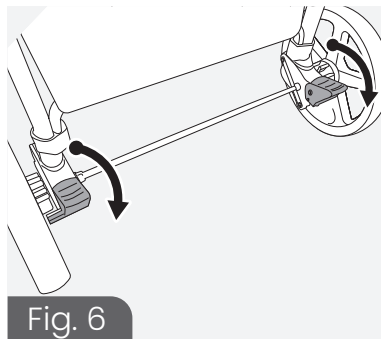
## Cómo colocar la bandeja del cochecito en el cochecito

1. Pise ambos pedales de freno para bloquear el freno de estacionamiento (Fig. 1).
2. Abra la pinza (Fig. 2).
  - a. **Levante** la lengüeta de plástico de la pinza; y
  - b. **Levante** el soporte metálico de la pinza.
  - c. **Repita** el procedimiento en el lado contrario.
3. Alinee la bandeja del cochecito con la estructura del cochecito (Fig. 3).
4. Asegure la bandeja del cochecito alrededor de la estructura del cochecito (Fig. 4).
  - a. **Enganche** el soporte metálico en la ranura.
  - b. **Empuje** la lengüeta de plástico para asegurar la bandeja del cochecito.
  - c. **Repita** el procedimiento en el lado contrario.
5. Tire de bandeja del cochecito para asegurarse de que esté segura (Fig. 5).



## Cómo desenganchar la bandeja del cochecito

1. **Pise** ambos pedales de freno para bloquear el freno de estacionamiento (Fig. 6).
2. **Abra** la pinza (Fig. 7).
  - a. **Levante** la lengüeta de plástico de la pinza; y
  - b. **Levante** el soporte metálico de la pinza.
  - c. **Repita** el procedimiento en el lado contrario.
3. **Tire** de bandeja del cochecito para separarla del cochecito (Fig. 8).



# Cuidado y mantenimiento

- Si la bandeja de cochecito se moja, séquela con un trapo o toalla limpio para evitar la corrosión.
- NO pliegue la bandeja del cochecito si está mojada o húmeda. Compruebe siempre que la bandeja del cochecito esté completamente seca antes de guardarla.
- Limpie la bandeja del cochecito con un trapo húmedo y jabón suave. Utilice un trapo o toalla limpio y seco para retirar el exceso de agua y jabón.
- NO use abrasivos, disolventes, detergentes fuertes ni limpiadores domésticos. Estos productos pueden rayar, decolorar y debilitar el plástico o provocar corrosión en las superficies metálicas.
- Para evitar daños a las piezas de plástico, almacénelas lejos de fuentes de calor.
- NO apile otros objetos encima de la bandeja de la silla de paseo.

## Garantía

Esta bandeja del cochecito fue fabricada por Britax Child Safety, Inc. ("Britax"). En la medida en que lo permita la ley, Britax garantiza este producto al comprador minorista original de la siguiente manera:

### GARANTÍA LIMITADA DE UN AÑO

Este producto tiene garantía contra materiales o fabricación defectuosos durante un año a partir de la fecha original de compra. Se requiere un comprobante de compra para ejercer cualquier reclamo de garantía. Su solución única para esta garantía es que Britax, a su elección, proporcione componentes de reparación o reemplazo al comprador original de este producto. Britax se reserva el derecho a suspender, cambiar o sustituir las telas, las piezas, los modelos y los productos.

Esta garantía no abarca daños que surjan de la negligencia, el mal uso o un uso no conforme a las instrucciones del producto. Además, los productos Britax comprados a minoristas no autorizados, sitios de subastas en línea o como artículos de segunda mano no están cubiertos por la garantía.

El uso de fundas, insertos, juguetes, accesorios, o dispositivos de ajuste no fabricados por Britax no está aprobado por Britax. Su uso podría hacer que esta retención para niños no cumpla con las normas de seguridad. Su uso también puede anular la garantía de Britax.

Para hacer un reclamo bajo esta garantía, debe comunicarse con el Departamento de Servicios al Consumidor de Britax al 1-888-427-4829 o al 1-704-409-1699 o escribirnos a la dirección que aparece en la contraportada de esta Guía de usuario.

### EXENCIÓN DE GARANTÍAS

El siguiente descargo de responsabilidad se aplicará a usted en la máxima medida permitida por la ley aplicable. LA GARANTÍA LIMITADA ESTABLECIDA ANTERIORMENTE ES LA GARANTÍA EXCLUSIVA OFRECIDA POR BRITAX. SE RENUNCIA A TODAS LAS DEMÁS GARANTÍAS, YA SEAN EXPRESAS, IMPLÍCITAS O LEGALES, INCLUIDAS LAS GARANTÍAS IMPLÍCITAS DE COMERCIALIZACIÓN Y ADECUACIÓN PARA UN FIN DETERMINADO, ENTRE OTRAS. Algunos estados no permiten ciertas exclusiones o limitaciones en las garantías, por lo que es posible que lo anterior no se aplique en su caso. Esta garantía le otorga derechos legales específicos y usted puede tener otros derechos, que varían de un estado a otro. Ni Britax, ni el minorista que venda este producto, autoriza a ninguna persona a crear para él cualquier otra garantía, obligación o responsabilidad en relación con este producto.

### LIMITACIÓN DE DAÑOS

La siguiente limitación de daños se aplicará a usted en la máxima medida permitida por la ley aplicable. LOS RECURSOS CONTENIDOS EN LA GARANTÍA LIMITADA ESTABLECIDA ANTERIORMENTE SON LOS RECURSOS EXCLUSIVOS PROVISTOS POR BRITAX. EN NINGÚN CASO BRITAX SERÁ RESPONSABLE ANTE USTED POR DAÑOS INCIDENTALES, ESPECIALES, PUNITIVOS, EJEMPLARES O CONSECUENTES QUE SURJAN O ESTÉN RELACIONADOS DE CUALQUIER FORMA CON LA RELACIÓN ENTRE USTED Y BRITAX (INCLUIDAS DISPUTAS RELACIONADAS CON LA COMERCIALIZACIÓN O VENTA DE PRODUCTOS BRITAX), LAS DISPOSICIONES DE ESTA GUÍA DE USUARIO O LA COMPRA O EL USO DE CUALQUIER PRODUCTO DISEÑADO, FABRICADO, DISTRIBUIDO, COMERCIALIZADO O VENDIDO POR BRITAX.

COMPLETE Y ENVÍE POR CORREO LA TARJETA DE REGISTRO DE PROPIETARIO DENTRO DE LOS (30) DÍAS DE LA COMPRA

También puede registrarla en línea en [us.britax.com/registration](https://us.britax.com/registration).

## Acuerdo de Arbitraje

ARBITRAJE OBLIGATORIO Y RENUNCIA A DEMANDA COLECTIVA ("ACUERDO DE ARBITRAJE")

LEA ESTA SECCIÓN DETENIDAMENTE PORQUE AFECTA SUS DERECHOS LEGALES, REQUIERE QUE ARBITRE LAS DISPUTAS Y LIMITA LA MANERA EN QUE PUEDE SOLICITAR COMPENSACIÓN.

El arbitraje es un proceso en el que las personas con una disputa renuncian a sus derechos de presentar una demanda y proceder ante un tribunal y tener un juicio con jurado para resolver sus disputas y, en su lugar, aceptan presentar sus disputas a un tercero neutro (un "árbitro") para que tome una decisión. Cada parte de la disputa tiene la oportunidad de presentar evidencia al árbitro. El hallazgo de arbitraje previo puede ser limitado. Los procedimientos de arbitraje

son privados y menos formales que los procesos judiciales. El árbitro emitirá una decisión final y vinculante para resolver la disputa, que puede imponerse como si fuera una sentencia judicial. Un tribunal rara vez anula la decisión de un árbitro.

**USTED Y BRITAX ACUERDAN QUE CUALQUIER DISPUTA ENTRE LAS PARTES, YA SEA QUE SE BASE EN UN CONTRATO, AGRAVIO, ESTATUTO O DE OTRO TIPO, SE RESOLVERÁ EN ARBITRAJE PERSONALIZADO VINCULANTE.** A los fines de este Acuerdo de arbitraje, las palabras “disputa” y “disputas” tienen el significado más amplio posible e incluyen todos los reclamos, todas las disputas o controversias que surjan de o se relacionen de alguna manera con la relación entre usted y Britax (incluidas las disputas relacionadas con la comercialización o venta de productos Britax), entre otros, cualquier disposición en esta Guía de usuario o este Acuerdo de arbitraje (incluida la interpretación y el alcance de este Acuerdo de arbitraje y la arbitrabilidad de cualquier disputa) o su compra o uso de cualquier producto diseñado, fabricado, distribuido, comercializado, o vendido por Britax. La Ley Federal de Arbitraje (“FAA”, del inglés Federal Arbitration Act) y la ley federal de arbitraje se aplican a este Acuerdo de arbitraje. Sin perjuicio de lo anterior, usted y Britax acuerdan, cada uno, que usted y Britax retendrán los derechos de iniciar una demanda individual en un tribunal de reclamos menores por disputas dentro del alcance de la jurisdicción de dicho tribunal o de iniciar una demanda individual en un tribunal para prohibir la infracción u otro uso indebido de los derechos de propiedad intelectual. De ninguna manera la oración anterior permitirá que se realice una acción de forma colectiva.

**USTED TIENE DERECHO A RETIRARSE DE ESTE ACUERDO DE ARBITRAJE, PERO DEBE EJERCER ESTE DERECHO DENTRO DE LOS TREINTA (30) DÍAS POSTERIORES A LA COMPRA DE UN PRODUCTO BRITAX.** Si no desea estar obligado por este Acuerdo de arbitraje, debe notificar a Britax enviando por correo o correo electrónico un aviso de retiro por escrito, con matasellos o entregado electrónicamente dentro de los treinta (30) días posteriores a la compra de un producto Britax, a la siguiente dirección: ATTN: Legal Department, 4140 Pleasant Road, Fort Mill, South Carolina 29708. Su aviso de retiro debe incluir su nombre completo, dirección postal o dirección de correo electrónico, el modelo y los números de serie del producto comprado, una copia de su comprobante de compra y una declaración acerca de que pretende retirarse de este Acuerdo de arbitraje. Si no se retira dentro de los treinta (30) días posteriores a su compra, se aplicará este Acuerdo de arbitraje y entiende y acepta que renuncia a su derecho a mantener otros procesos de resolución disponibles, como una acción judicial o un procedimiento administrativo, para resolver su disputa con Britax.

El arbitraje será dirigido de manera confidencial por un solo árbitro y administrado por la American Arbitration Association (“AAA”) en virtud de sus Reglas de Arbitraje del Consumidor vigentes más recientemente, en la medida en que dichas reglas y dichos procedimientos no contradigan los términos expresos de este Acuerdo de arbitraje. Para obtener más información sobre las reglas y cómo comenzar un arbitraje, puede llamar a cualquier oficina de AAA o visitar la página web [www.adr.org](http://www.adr.org). Si usted solicita arbitraje, entonces Britax adelantará su parte de los gastos asociados con el arbitraje, incluidos los honorarios de presentación, administración, audiencia y árbitro (“Honorarios de arbitraje”) en la medida en que tales Honorarios de arbitraje excedan los 200 \$. Si Britax solicita arbitraje, entonces a su solicitud, Britax adelantará su parte de los Honorarios de arbitraje. En el caso de reclamos de 10 000 \$ o menos, puede elegir si desea que el arbitraje se lleve a cabo solo en función de los documentos enviados al árbitro o por una audiencia en persona o por teléfono. La audiencia de arbitraje se llevará a cabo en el condado de su residencia, dentro de las 30 millas de dicho condado o en el lugar que el árbitro ordene. Durante el arbitraje, cada parte asumirá los honorarios y gastos de sus propios abogados, incluidos los honorarios de testigos y testigos expertos. El árbitro aplicará la ley sustantiva aplicable de acuerdo con la FAA, aplicará los estatutos de limitación y honrará los reclamos de privilegio reconocidos por la ley. El árbitro decidirá, con o sin una audiencia, cualquier moción que sea sustancialmente similar a una moción que se desestime por no presentar un reclamo o una moción para juicio sumario. Al realizar el procedimiento de arbitraje, el árbitro no aplicará el reglamento federal o los reglamentos estatales de procedimiento civil o de las pruebas. El árbitro no consolidará los reclamos de varias partes, a menos que usted y Britax acuerden hacerlo. A solicitud oportuna de cualquiera de las partes, el árbitro proporcionará una explicación por escrito para el laudo. El laudo del árbitro puede presentarse ante cualquier tribunal con jurisdicción.

**ESTE ACUERDO DE ARBITRAJE NO PERMITE ARBITRAJES COLECTIVOS, INCLUSO SI LAS REGLAS O LOS PROCEDIMIENTOS DE LA AAA LO HARÍAN. EN OTRAS PALABRAS, USTED Y BRITAX ACUERDAN QUE TODAS LAS DISPUTAS SERÁN ARBITRADAS DE MANERA INDIVIDUAL Y RENUNCIAN A CUALQUIER DERECHO DE PROCEDER DE FORMA COLECTIVA, CONSOLIDADA O REPRESENTATIVA. EL ÁRBITRO PUEDE ADJUDICAR DINERO O MEDIDAS CAUTELARES SOLO A FAVOR DE LA PARTE INDIVIDUAL QUE SOLICITA COMPENSACIÓN, Y SOLO EN LA MEDIDA EN QUE SEA NECESARIO PARA PROPORCIONAR COMPENSACIÓN GARANTIZADA POR EL RECLAMO INDIVIDUAL DE ESA PARTE. NINGÚN ABOGADO COLECTIVO, REPRESENTANTE O FISCAL GENERAL PRIVADO NI MEDIDAS CAUTELARES GENERALES DE RESPONSABILIDAD O PEDIDOS DE COMPENSACIÓN PODRÁ MANTENERSE EN NINGÚN ARBITRAJE REALIZADO DE ACUERDO CON ESTE ACUERDO DE ARBITRAJE.**

Si se determina que la renuncia a demanda colectiva y la prohibición del arbitraje colectivo anterior no son válidas o no son aplicables por cualquier motivo, entonces todo este Acuerdo de arbitraje será nulo. Si alguna parte de este Acuerdo de arbitraje que no sea la renuncia a demanda colectiva y la prohibición del arbitraje colectivo se considera no válida o inaplicable por cualquier motivo, no invalidará las partes restantes de este Acuerdo de arbitraje. Si por algún motivo una disputa procede en un tribunal en lugar de en un arbitraje, usted y Britax renuncian a cualquier derecho a un juicio con jurado.